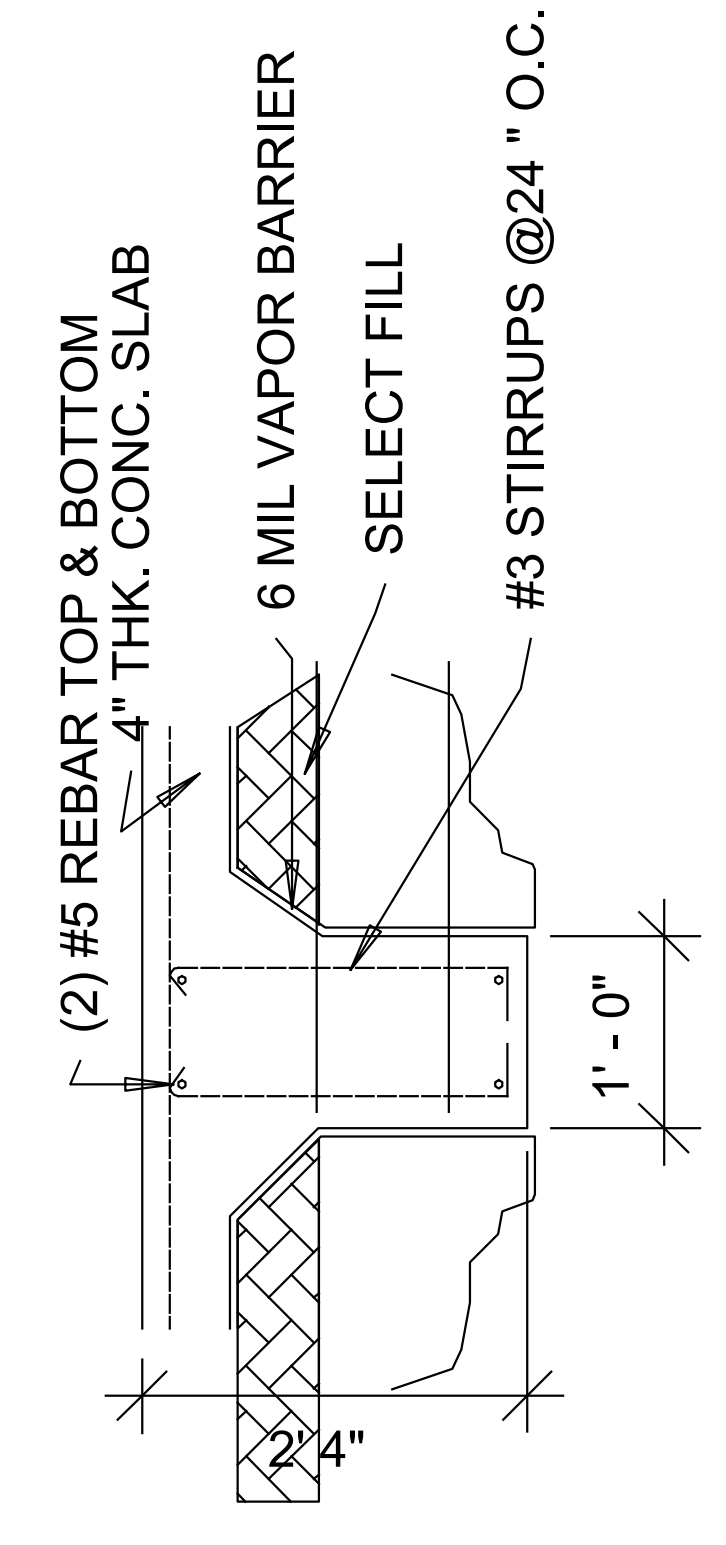


(1) - #4 "X24" TOP / BOTTOM (TYP @ ALL EXTERIOR CORNERS)
 (2) - #6 30"X30" TOP / BOTTOM (TYP @ CORNER AND "T" INTERSECTIONS WITH BEAMS CONVENTIONALLY REINFORCED)

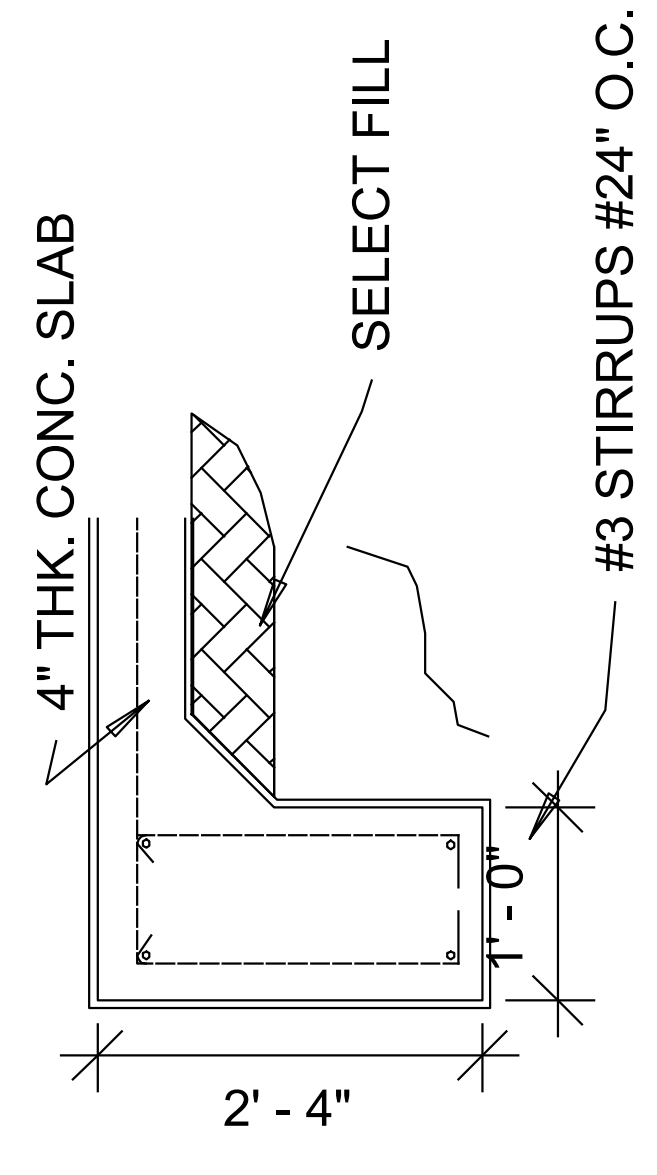
VERIFY ALL DROPS AND DIMENSIONS WITH ARCHITECTURAL PLANS

B- TYP. INTERMEDIATE BM. SECTION



D-1
DETAIL - 3
 SCALE: 1/4"=1'

A- TYP PERIMETER BM. SECTION

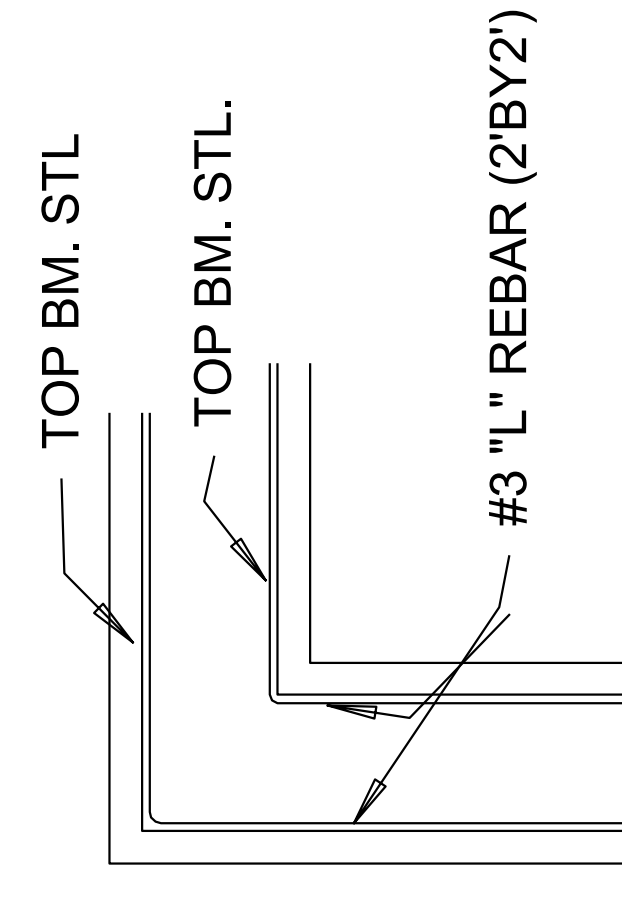


D-4
DETAIL - 4
 SCALE: 1/4"=1'

1
FOUNDATION PLAN
 SCALE: 1/4"=1'

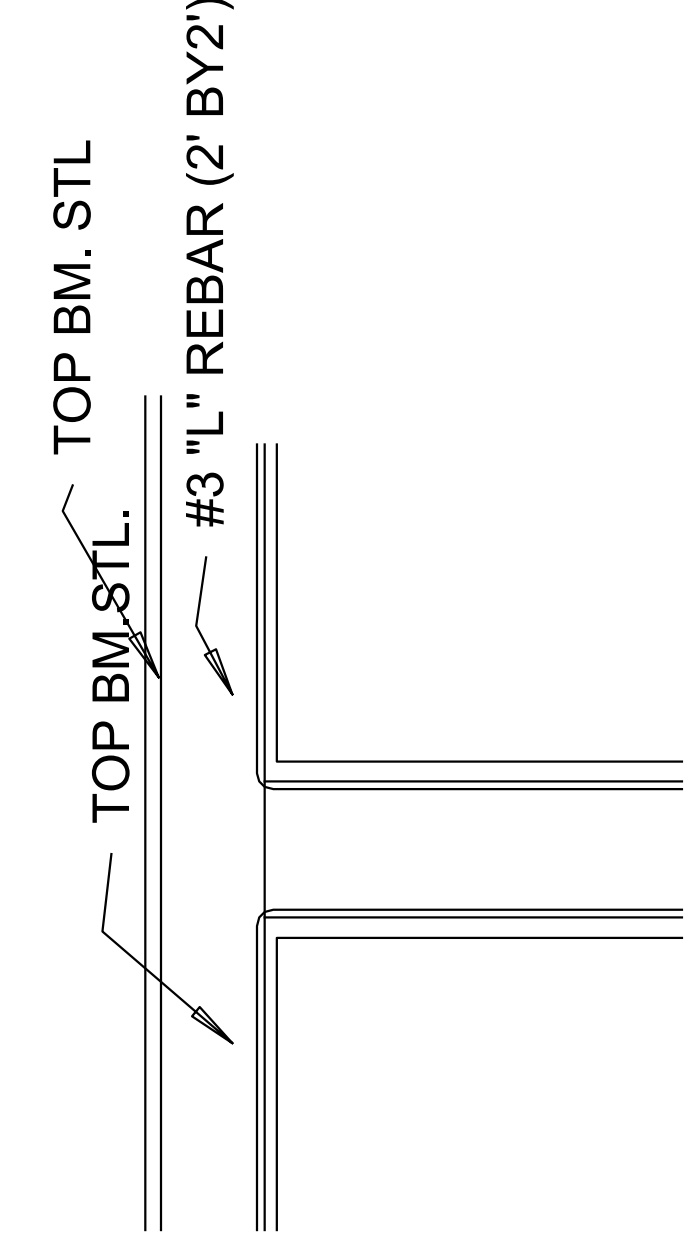
NOTE: THIS PLAN IS FOR REFERENCE ONLY. CHECK ALL DIMENSIONS AND SPECIFICATION ON FIELD AND WITH AN ENGINEER NOTE: THIS

F- TYP CORNER BM. PLAN DETAIL



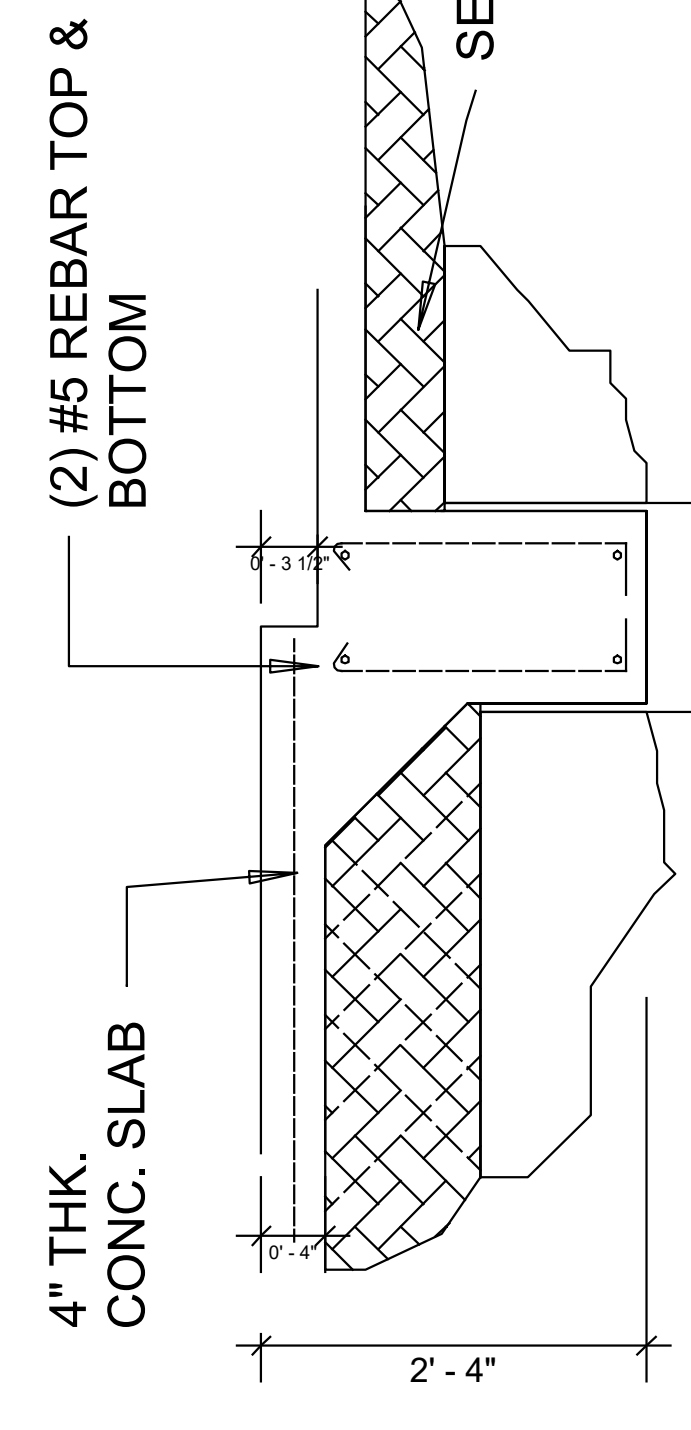
D-1
DETAIL - 1
 SCALE: 1/4"=1'

E- TYP INTERSECTION PLAN DETAIL



D-2
DETAIL - 2
 SCALE: 1/4"=1'

C- DROP DETAIL



D-5
DETAIL - 5
 SCALE: 1/4"=1'

BEAM W.	BEAM D.	SLAB THICKNESS
12"	24"	4"

NOTE: CONCRETE 3000 PSI

COPYRIGHT 2022. THESE PLANS AND THEIR USE ARE THE PROPERTY OF THE CONTRACTOR/DESIGNER. THESE PLANS ARE FOR CONSTRUCTION OF ONE POSSESSION OF PLANS DOES NOT AUTHORIZE CONTINUED USE OF SAME FOR CONSTRUCTION OF OTHER PROJECT. NOT TO BE COPIED WITHOUT THE WRITTEN PERMISSION OF THE CONTRACTOR/DESIGNER. RETAINS ALL COMMON LAW, STATUTORY, AND OTHER RESERVED RIGHTS. IN ADDITION TO THE COPYRIGHT.